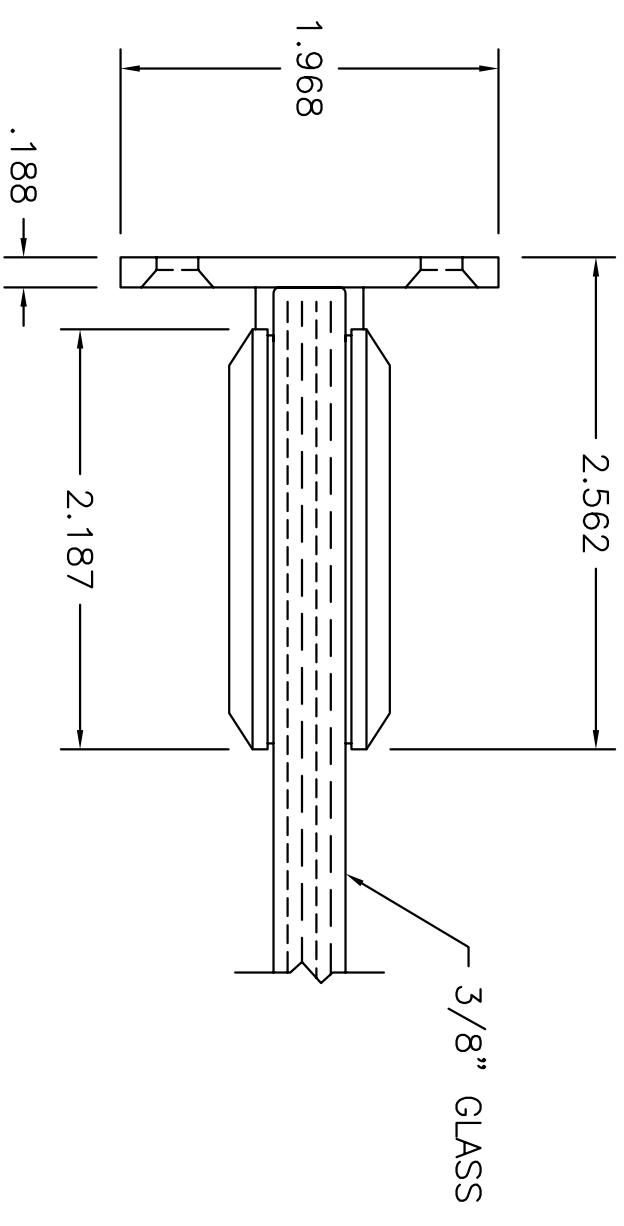
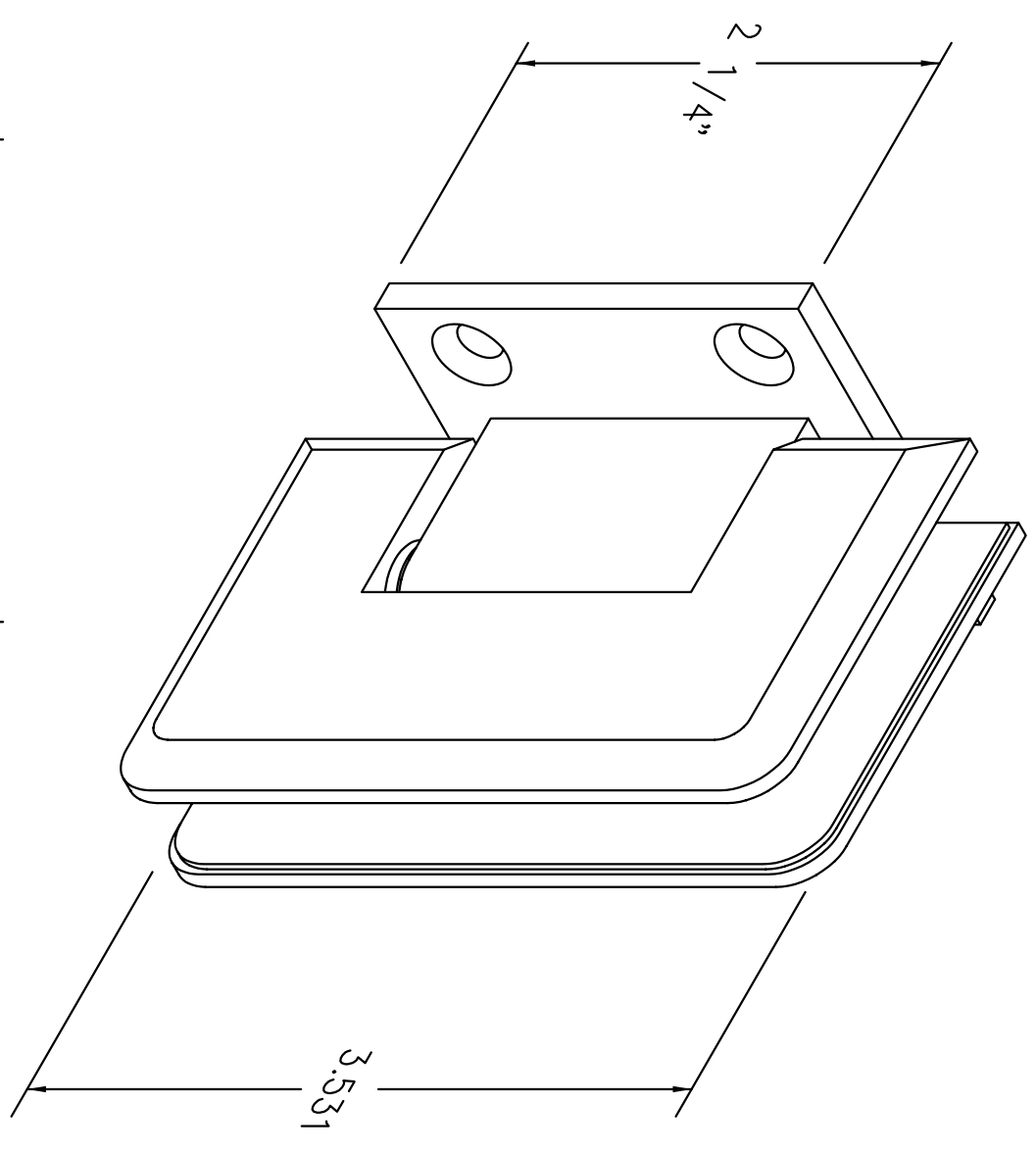
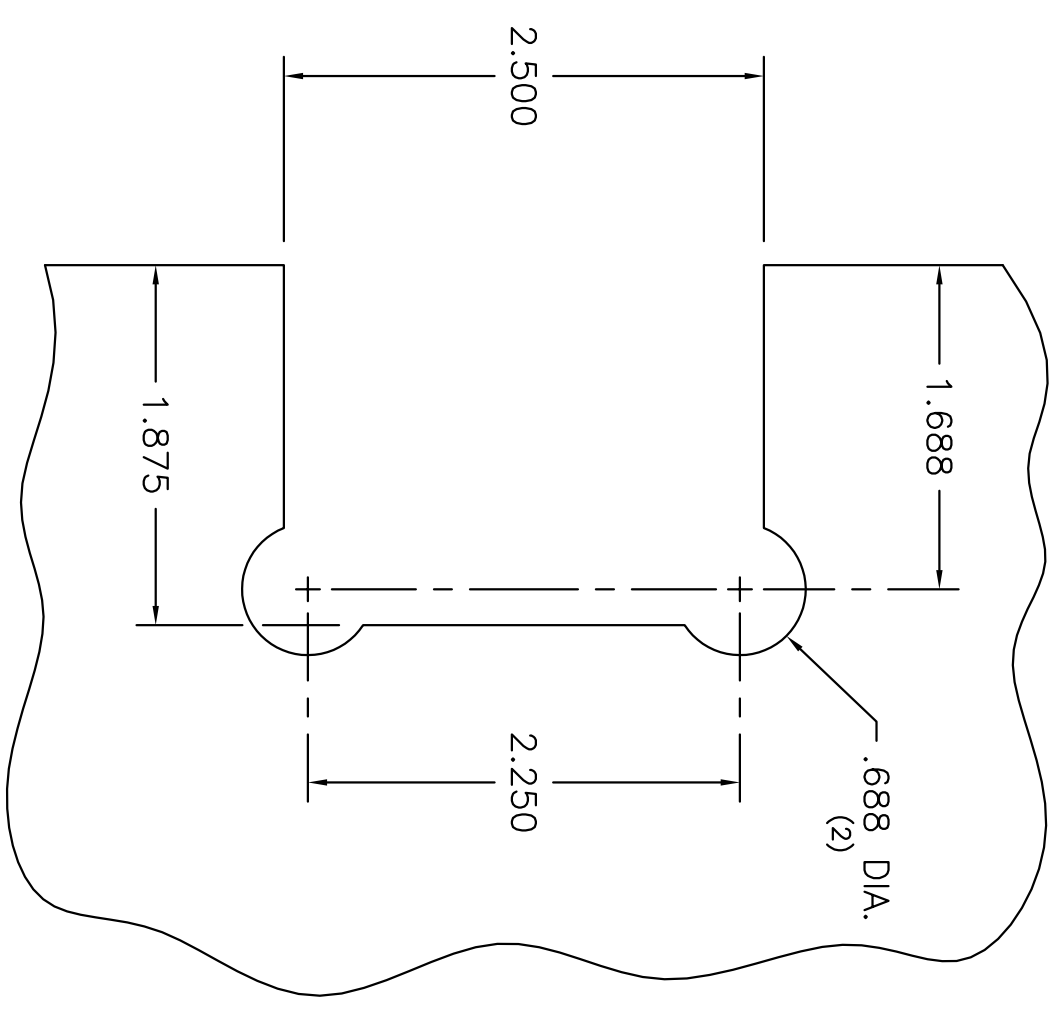


DATE	S/M	REVISION	BY



TOP VIEW OF HINGE AND GLASS
FULL SIZE



GLASS NOTCH
FULL SIZE

- G03710259 Polish Chrome
- G03710116 Satin Chrome
- G03710483 Polish Brass
- G03710198 Satin Brass
- G03710670 Polish Nickel
- G03710709 Brush Nickel
- G03711550 White
- G03711857 Oil Rub Bronze

T885C EPH-XXX-04845

ALCOA
Extruded Construction
Magnolia Operations
1617 N. WASHINGTON, MAGNOLIA, ARK.
71754-0040 870-234-4260

PART NAME		HINGE - GLASS TO WALL		PART NO.		G03710259	
MATERIAL		BRASS		COLOR		VARIES	
DRN. BY		DS		SCALE		FULL & NTS	
DATE		10-16-03		DIE NO.			