

ALUMAX

BATH ENCLOSURES

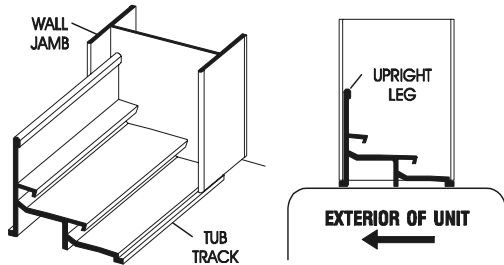
a product of Alcoa

PO Box 40, Magnolia, AR 71754-0040 (870) 234-4260

640cp INSTALLATION

INSTRUCTION Supplement

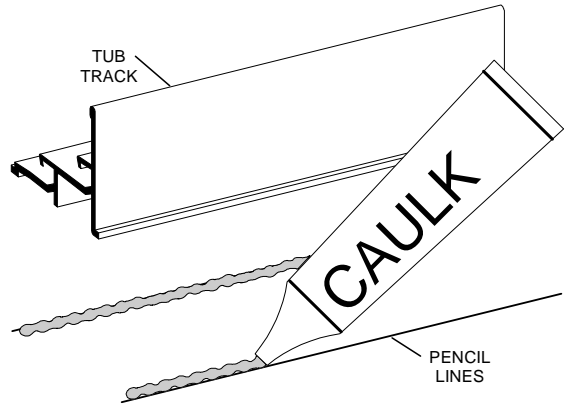
Substitute the following steps for the same numbered steps on the standard 640 instruction.



Step 1 Measure the wall-to-wall opening across the center of the tub rim. Use a hacksaw to cut the tub track [A] 1 1/8" short of this dimension. An inexpensive miter box will help you get a clean square cut.

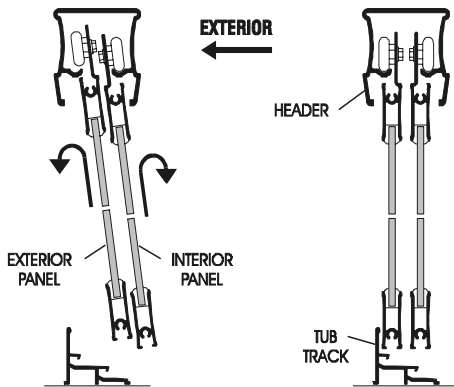
Position the tub track in the center of the tub rim with the upright leg to the exterior. If necessary, file a radius on the ends of the wall jambs to match the contours of the tub.

Press both of the wall jambs [B] into position over the tub track. Use strips of masking tape to hold the parts in place temporarily.



Step 3 Apply two continuous beads of caulk inside the penciled lines on the tub rim. Place the tub track [A] in the exact position marked in Step #2 and press it firmly downward to spread the caulk. Clean up any excess caulk and re-tape the track to prevent movement.

NOTE: Improper caulking will result in leaks.

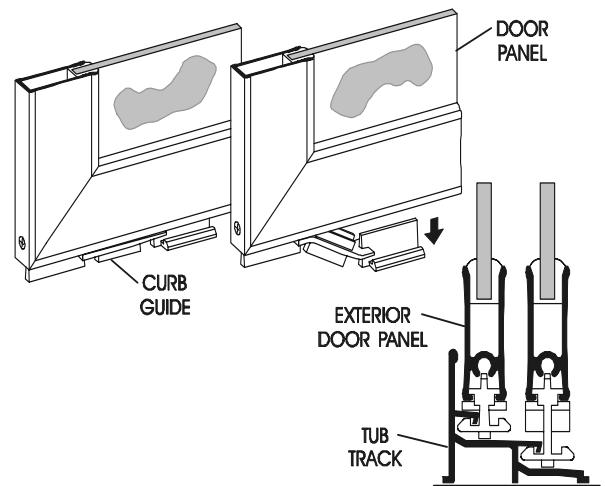


Step 7 NOTE: Do not remove the tape on the door panel bottom rails at this time.

Lift one of the door panels [G] into position with the pre-attached rollers engaging the track (interior side) in the header [F]. Repeat for the other (exterior) panel.

Check the panels for proper clearance with the tub track [A] and test for proper operation. If the door panels are not properly aligned with the wall jambs, remove and adjust the rollers up or down to compensate.

NOTE: For maximum waterproofing, the interior panel should always be positioned closest to the shower head.



Step 11 Remove the tape covering the plastic curb guides from the bottom rail of the exterior door panel [G]. Snap both curb guides into the upper slot on the tub track [A]. Test for proper operation.

Repeat for the interior door panel.

CAUTION: The curb guides can be very difficult to separate from the tub track. Be careful to snap them into the correct slot.